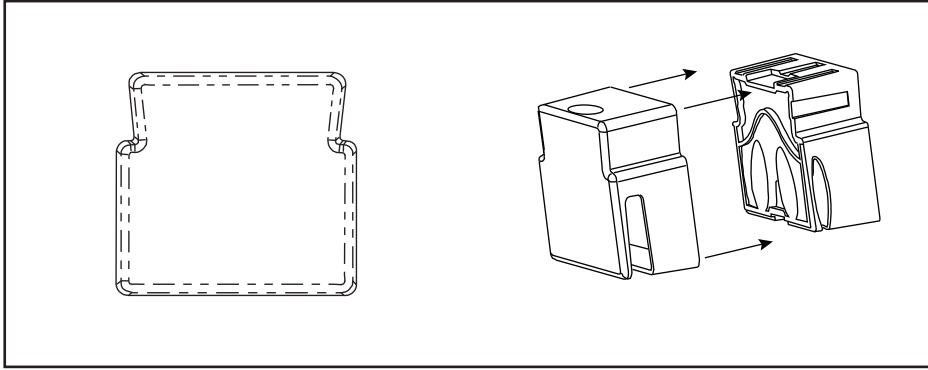


amerec ComfortFlo® Steam Head Installation Instructions



Two ComfortFlo steam heads are available: For steam generators, the head will mount to a 1/2" NPT steam pipe fitting. For large and commercial installations using the AI boiler, the head will mount to a 3/4" NPT steam pipe fitting.

For a more pleasant experience, we recommend using at least two steam outlets with each 12kW or 14kW generator. For Boilers: 2 steam heads for 12 and 18kW, 4 for 24 and 30kW, and so on. *Multiple outlets can greatly reduce the sound level when steam is entering the room.*

1. THE STEAM LINE should enter the steam room 15" to 18" (380 mm to 400 mm) above the floor or at least 12" (300 mm) above a tub rim or ledge. See Diagram 1.

IMPORTANT

If the steam line is in an area where the temperature will be below 40°F (4,5 °C) or, if the line is more than 20 feet (6 m) long, best results can be obtained by insulating the steam pipe.

At the steam room: Drill/prepare a 1-3/8" (35 mm) hole for a 1/2" steam line entry or 1-5/8" (40 mm) for a 3/4" steam line. Center the copper steam pipe in the hole. See diagram 2.

- Terminate the steam line with a 1/2" NPT (or 3/4" NPT) male adapter. Stub the line out into the room 3/8" (9,5 mm) from the finished surface.
- Secure the steam line to a structural member.

IMPORTANT

Check all of the standard fixtures in the steam room. Any holes or gaps must be sealed with 100% silicone caulk to avoid moisture damage within walls.

WARNING

Do not put a shut off valve in the steam line. Avoid traps and valleys where water can collect and cause a steam blockage. The hot steam line must be insulated against user contact.

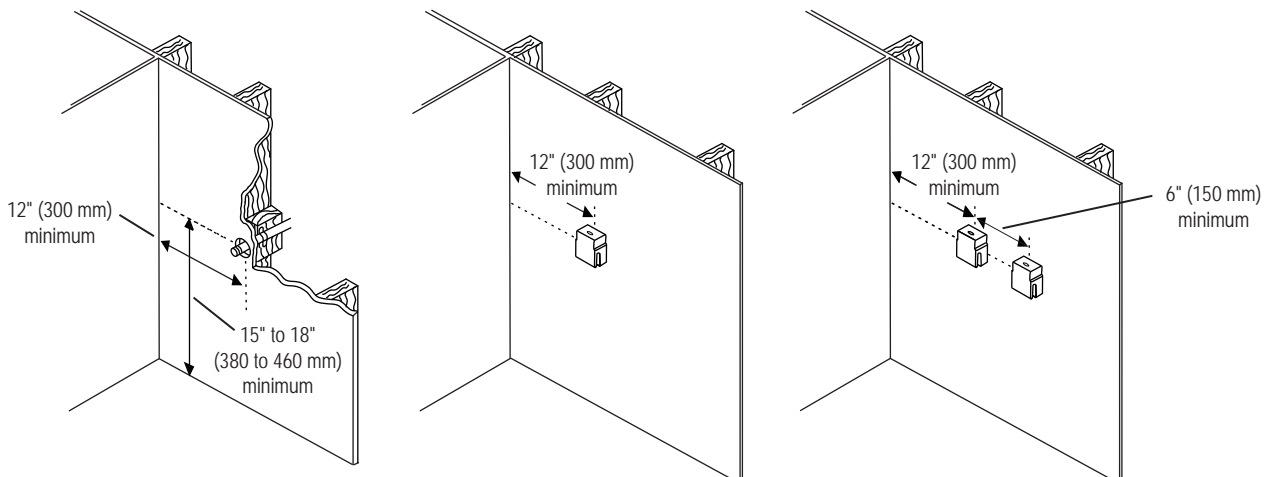
Centering the steam pipe is critical in rooms made of fiberglass, plastic, acrylic, resin, or similar materials. Allowing the steam pipes to touch materials not rated for 212°F (100°C) or higher will result in damage to these materials.

Do not install the steam head near bench(es) or where steam may spray or where condensation will drip on the user as this will present a scald hazard.

The steam pipe entry and any other entry into the steam room must be caulked to avoid damage caused by steam leakage into the wall.

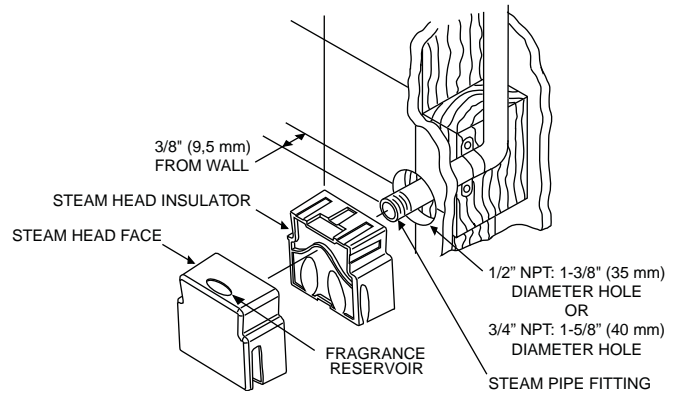
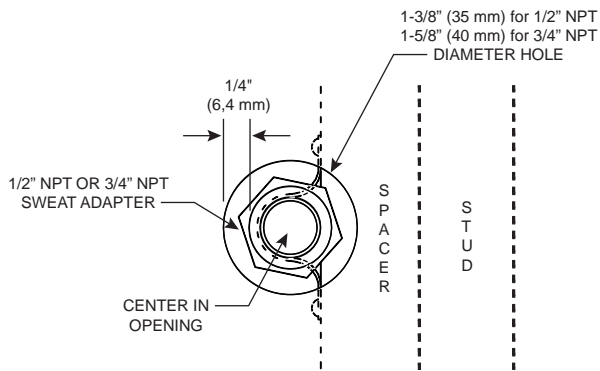


Diagram 1: LOCATION



amerec ComfortFlo® Steam Head Installation Instructions

DIAGRAM 2

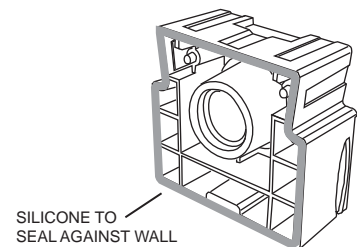


2. INSTALL STEAM HEAD INSULATOR: Fill in gap between steam pipe and finished wall surface at point of entry using 100% silicone caulk (*see diagram 2*).

Apply silicone caulk to the finished wall side of the steam head insulator (*see Diagram 3*) and screw on hand tight until it is flush with the wall with the opening pointing down. If a hand tight fit does not align with the opening pointing down, use teflon tape on the steam line threads to adjust the fit.

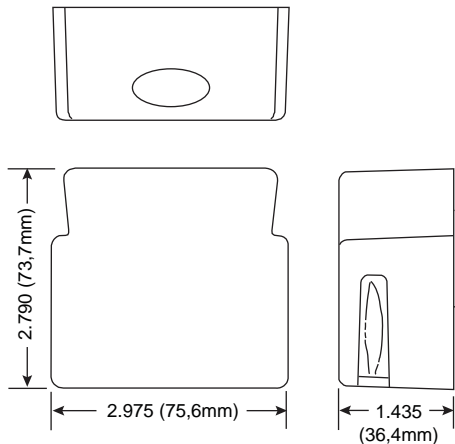
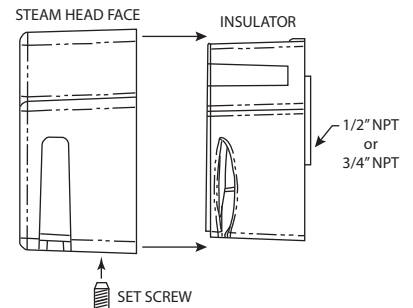
3. INSTALL STEAM HEAD: Slide the steam head face onto the insulator until it rests firmly against the finished wall. Tighten the hex head screw into the bottom of the steam head face to secure it in place using the allen wrench provided (*see Diagram 4*). The steam head should be level with its fragrance reservoir at the top.

DIAGRAM 3



Note: The steam head will be hot during use! It is designed to reduce the surface temperatures to a level which is safe for momentary contact. All steam outlets should be located where they will not vent steam onto a user and so as to avoid accidental contact during use!

DIAGRAM 4



amerec

Technical Support
 PO Box 2258
 Woodinville, WA 98072
 Phone 425-951-1120
 800-363-0251
 FAX 425-951-1130
 email: support@amerec.com